

Benefits You Can Depend On

- Slim design with space saving comfort for:
 - Toekick areas in your kitchen and bath cabinets
 - Recreational vehicles
 - Stairwells
 - Fireplace Hearths
- Safe for you and your family
 - Peace of mind with automatic high temperature shutoff feature
- Common sense components designed with you in mind
 1. NO sharp edges
 2. Corrosion resistant
 3. Rugged, reliable element for instant warmth
 4. Easy to install
- Your Cadet heater has been thoroughly tested and is guaranteed with a **2 year extended warranty**

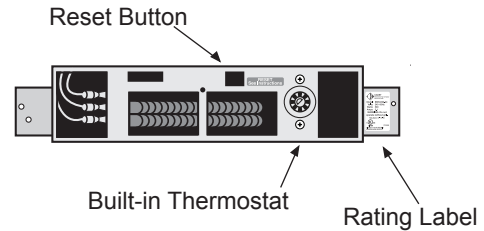
Perfectoe Models				
Line Voltage	Model w/o Thermostat	Model w/ Thermostat (1)	Watts	Amps
240 (2)	UC072		750	3.13
	UC102 (3)		1000	4.17
120	UC051		500	4.17
	UC101 (3)	UC101T (3)	1000	8.33

- (1) Standard built-in thermostat is single pole and has no "OFF" position.
 (2) 240 volt models can be used at 208 volts. Wattage equals 75% of 240v rated wattage.
 (3) For installations above 7000 feet, highest wattage recommended is 750 watts.

Note: Optional built-in thermostat kits sold separately



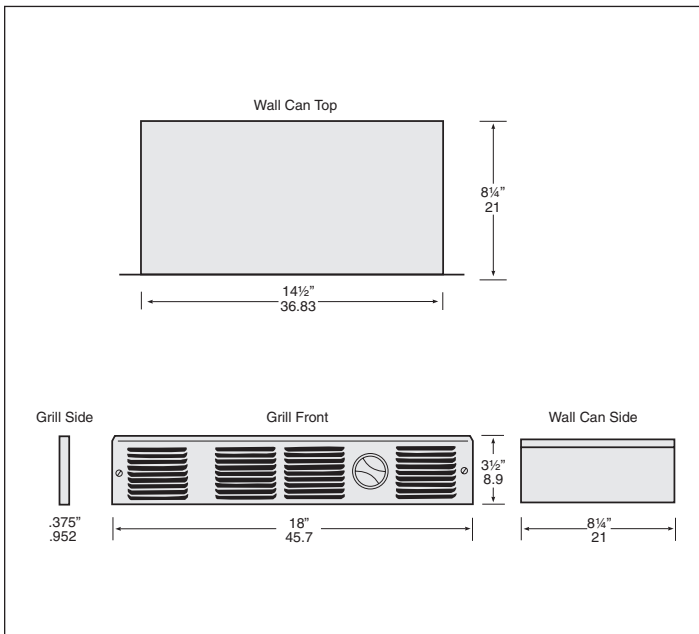
Perfectoe Models With Thermostat *Wall Thermostat Not Required



Perfectoe Models Without Thermostat *Wall Thermostat Required



- TOOLS REQUIRED:**
- Utility Knife
 - Phillips Screwdriver
 - (4) 1 1/2" Wood Screws
 - Straight Screwdriver
 - Insulated Wire Connectors
 - Wire Strippers
 - (1) Strain Relief Connector



IMPORTANT INSTRUCTIONS

⚠️ WARNING

When using electrical appliances, basic precautions should always be followed to reduce the risk of fire, electric shock, and injury to persons, including the following:

1. Read all instructions before installing or using this heater.

2. ⚠️ WARNING

Risk of Fire. This heater is hot when in use. Caution—High Temperature. Risk of Fire. Keep electrical cords, drapery, furnishings, and other combustibles at least 3 feet from the front of the heater and 6 inches above and on both sides.

3. ⚠️ WARNING

Burn Hazard. To avoid burns, do not let bare skin touch hot surfaces. Extreme caution is necessary when any heater is used by or near children or invalids and whenever the heater is left operating and unattended.

4. ⚠️ WARNING ⚠️

Risk of Electrical Shock. Do not operate any heater after it malfunctions. Disconnect power at service panel and have heater inspected by a qualified electrician before reusing.

5. ⚠️ WARNING

Do not use outdoors.

6. To disconnect heater, turn controls to off, and turn off power to heater circuit at main disconnect panel.

7. ⚠️ WARNING ⚠️

Risk of Electrical Shock. Do not insert or allow foreign objects to enter any ventilation or exhaust opening as this may cause an electric shock or fire, or damage the heater.

8. ⚠️ WARNING

Risk of Fire. To prevent a possible fire, do not block air intakes or exhaust in any manner.

9. ⚠️ WARNING

Fire or explosion may occur. A heater has hot and arcing or sparking parts inside. Do not use it in areas where gasoline, paint, or flammable vapors or liquids are used or stored.

10. Use this heater only as described in this manual. Any other use not recommended by the manufacturer may cause fire, electrical shock, or injury to persons.

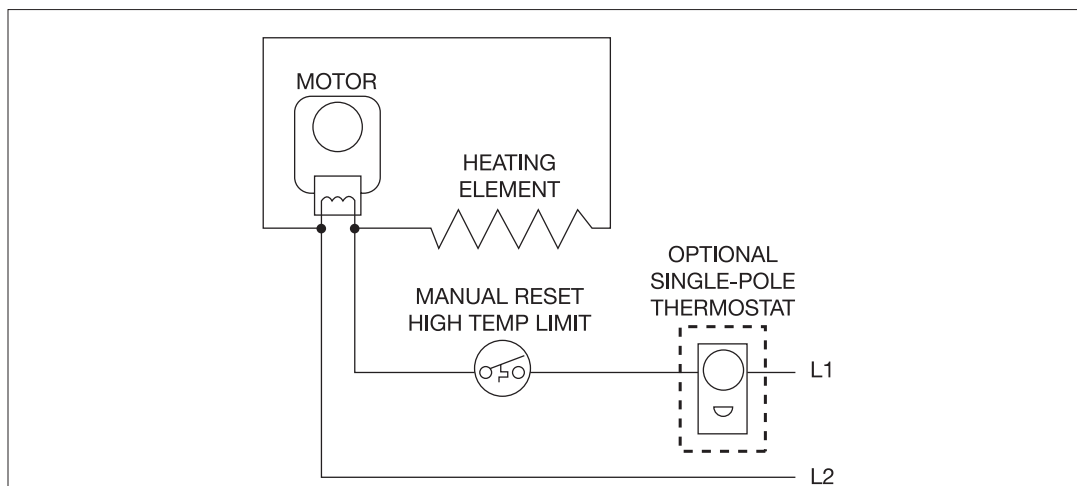
11. The heater must be properly installed before it is used.

12. ⚠️ WARNING ⚠️

Risk of Electrical Shock and Fire. Do not operate without grill.

13. Save these instructions.

Wiring Diagrams



SAVE THESE INSTRUCTIONS

INSTALLATION INSTRUCTIONS

1. ⚠️ **WARNING**

Verify that the electrical supply wires are the same voltage as the heater.

2. If replacing an existing heater, check the label of the old heater.

3. All electrical work and materials must comply with the National Electric Code (NEC), the Occupational Safety and Health Act (OSHA), and all state and local codes.

4. If you need to install a new circuit or need additional wiring information, consult a qualified electrician.

5. Use copper conductors only.

6. ⚠️ **WARNING** ⚠️

Risk of Electrical Shock. DO NOT install the heater directly above bathtub or sink. DO NOT install in shower stall area (Manufacturer recommends a minimum 2 foot clearance).

7. Heater must be installed in the wall can included.

8. ⚠️ **WARNING**

Risk of Fire. DO NOT install the heater in a floor, in the ceiling, below a towel bar, behind a door, or anywhere the air discharge may be blocked in any manner.

9. ⚠️ **WARNING**

Fire or Explosion May Occur. A heater has hot and arcing or sparking parts inside. Do not use it in areas where gasoline, paint, or flammable vapors or liquids are used or stored.

10. ⚠️ **WARNING** ⚠️

Risk of Electrical Shock. Connect grounding lead to grounding screw provided. Keep all foreign objects out of heater.

11. ⚠️ **WARNING**

Risk of Fire. This heater is hot when in use. Caution—High Temperature. Risk of Fire. Keep electrical cords, drapery, furnishings, and other combustibles at least 3 feet from the front of the heater and 6 inches above and on both sides.

Part One

PLACEMENT: For best results, install heater beneath a cabinet in the toe kick area. Install the Perfectoe (Model UC) horizontally. Do not install the UC heater in the floor. Headers and bracing are not necessary. Heater must be installed per the directions indicated on the lid.

WARNING! Vinyl floor manufacturers warn that some vinyl may discolor from temperatures in excess of 110° F. See your vinyl floor manufacturer for temperature specifications for your vinyl floor covering.

CONTROLS: A thermostat is required. A Cadet electronic thermostat is recommended for ultimate control and comfort. Optional single or double pole field mount thermostat kits are also available: Model numbers UCT1 and UCT2.

STEP 1 Determine Area of Installation

The UC Series heater REQUIRES A MINIMUM distance of 6 inches from adjacent surfaces (see Figure 1). However, Cadet RECOMMENDS 12 inches from all adjacent surfaces for longer and cleaner performance. Heaters must be spaced at least 3 feet apart.

For installation in an existing wall/cabinet, cut a rough opening 14½ inches wide by 3½ inches high. Opening must be 8½ inches deep.

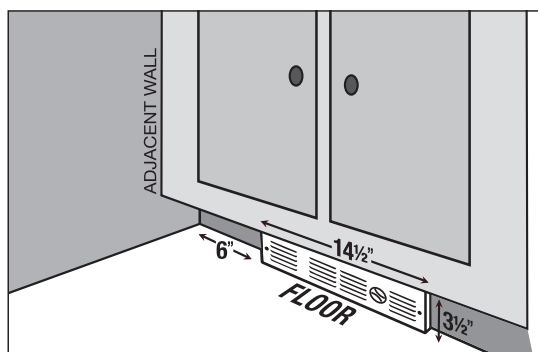


Figure 1

STEP 2 Route Supply Wires

For wall thermostat applications, route supply wire from circuit breaker to thermostat to rough opening. For models with an optional field mount thermostat kit, route supply wire from circuit breaker to rough opening. Allow enough wire to extend 12 inches beyond the opening. Place heater lid aside. Remove the knockout and attach the supply wire with a strain relief connector, leaving 6 inches wire lead for later use (See Figure 2).

STEP 3 Connect Supply Wires

Connect the supply ground wire to the green grounding screw provided (See Figure 2). Connect each supply wire to one heater wire with wire connectors. Note: All wire connections must be made inside the heater.

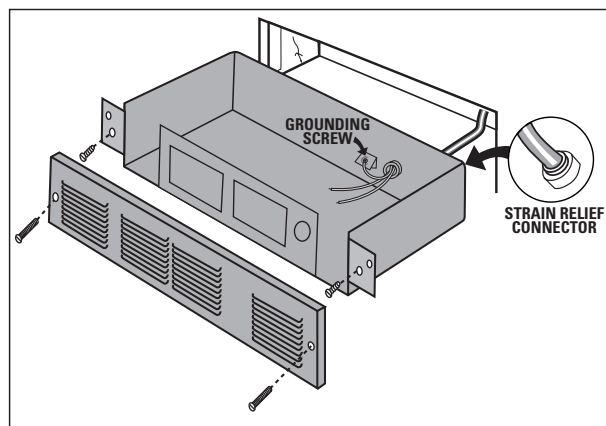


Figure 2

STEP 4 Mount the Heater

Reinstall heater lid and attach using four screws provided. Slide heater into opening. Fasten heater to cabinet with screws (not provided) going through the lower holes located on the flanges. Fasten grill to heater with screws provided going through the upper holes located on the flanges.

STEP 5 Turn the Electrical Power ON

Turn the electrical power back on at the electrical panel board (circuit breaker or fuse box).

OPERATING INSTRUCTIONS

⚠ WARNING Risk of Electrical Shock and Fire. The heater must be properly installed before it is used.

1. Do not operate without grill.
2. Keep electrical cords, drapery, furnishings and other combustibles at least 3 feet away from the front of the heater and 6 inches away from the sides.
3. Do not tamper with the over temperature limit control.
4. If the heater over temperature limit trips more than once per day, the heater must be replaced.

How to operate your heater

The room temperature is controlled by a line voltage thermostat located either on the wall or built-in to the heater.

1. Once installation is complete and power has been restored, turn the thermostat knob fully clockwise.
2. When the room reaches your comfort level, turn the thermostat knob counterclockwise until the heater turns off. The heater will automatically cycle around this preset temperature.
3. To reduce the room temperature, turn the knob counterclockwise. To increase the room temperature, turn the knob clockwise.

5. Clean heater at least every six months.
6. After allowing the heater to cool, turn power off at circuit breaker panel before removing grill.
7. Use a hair dryer or vacuum on blow cycle to blow debris through the top element (do not touch element).
8. Install the grill before turning on power.

⚠ WARNING: Any other service not detailed in this Owner's Guide should be performed by an authorized service representative.

About the Manual Reset Temperature Limit Control

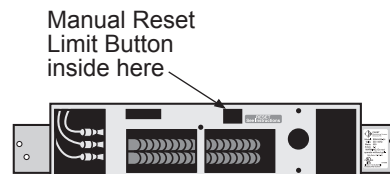
The heater is protected by a temperature-limiting control. The manual reset temperature limit control is designed to open the heater circuit when excessive operating temperatures are detected. The problem must be assessed and the limit must be reset to resume operation.

Resetting the Manual Reset Limit Control

Resetting the Manual Reset Temperature Limit Control

If the manual reset limit control has opened the heater circuit due to excessive operating temperatures, the heater will not work until the manual reset limit button is pressed.

After allowing the unit to cool for at least 15 minutes and resolving the problem causing the limit to trip (typically the heater is blocked or needs cleaning-see Maintenance Instructions); use a narrow object such as a ball-point pen to access the manual reset button through the heater grill. Press **FIRMLY** and be sure to listen and feel for a click, indicating it has been reset.



Warranty

For more effective and safer operation and to prolong the life of the heater, read the Owner's Guide and follow the maintenance instructions. Failure to properly maintain the heater will void any warranty and may cause the heater to function improperly. Warranties are non transferable and apply to original consumer only. Warranty terms are set out below.

LIMITED TWO-YEAR WARRANTY: Cadet will repair or replace any Perfectoe (UC) heater found to be defective within two years after the date of purchase.

These warranties do not apply:

1. Damage occurs to the product through improper installation or incorrect supply voltage;
2. Damage occurs to the product through improper maintenance, misuse, abuse, accident, or alteration;
3. The product is serviced by anyone other than Cadet;
4. If the date of manufacture of the product cannot be determined;
5. If the product is damaged during shipping through no fault of Cadet.
6. CADET'S WARRANTY IS LIMITED TO REPAIR OR REPLACEMENT AS SET OUT HEREIN. CADET SHALL NOT BE LIABLE FOR DAMAGES SUCH AS PROPERTY DAMAGE OR FOR CONSEQUENTIAL DAMAGES AND/OR INCIDENTAL EXPENSES RESULTING FROM BREACH OF THESE WRITTEN WARRANTIES OR ANY EXPRESS OR IMPLIED WARRANTY.

7. IN THE EVENT CADET ELECTS TO REPLACE ANY PART OF YOUR CADET PRODUCT, THE REPLACEMENT PARTS ARE SUBJECT TO THE SAME WARRANTIES AS THE PRODUCT. THE INSTALLATION OF REPLACEMENT PARTS DOES NOT MODIFY OR EXTEND THE UNDERLYING WARRANTIES. REPLACEMENT OR REPAIR OF ANY CADET PRODUCT OR PART DOES NOT CREATE ANY NEW WARRANTIES.

8. These warranties give you specific legal rights, and you may also have other rights which vary from state to state. Cadet neither assumes, nor authorizes anyone to assume for it, any other obligation or liability in connection with its products other than as set out herein.

If you believe your Cadet product is defective, please contact Cadet Manufacturing Co. at 360-693-2505, during the warranty period, for instructions on how to have the repair or replacement processed. Warranty claims made after the warranty period has expired will be denied. Products returned without authorization will be refused.

Parts and Service

Visit cadetheat.com/parts-service for information on where to obtain parts and service.



Reduce-Reuse-Recycle

This product is made primarily of recyclable materials. You can reduce your carbon footprint by recycling this product at the end of its useful life. Contact your local recycling support center for further recycling instructions.

MAINTAINING YOUR HEATER

Maintenance As Needed, or every six months minimum.



⚠ WARNING! Before removing grill, turn the electrical power off at the electrical panel board (circuit breaker or fuse box). Lock or tag the panel board door to prevent someone from accidentally turning the power on while you are working on the heater. Failure to do so could result in serious electrical shock, burns, or possible death.

⚠ WARNING: Any other service not detailed in this Owner's Guide should be performed by an authorized service representative.

1. It is important that you verify power has been turned off and no power is going to the heater before proceeding. Circuit breakers are often not marked correctly and turning the wrong breaker off could mean electricity is flowing to the heater, even if the heater does not appear to be working. If you are uncomfortable working with electrical appliances, unable to follow these guidelines, or do not have the necessary equipment, consult a qualified electrician.
2. Once you verify the power has been turned off correctly, proceed to the next step.
3. Remove thermostat knob (if any), screws and take off grill.
4. Wash grill with hot soapy water and dry immediately.
5. Remove the screws securing the heater assembly to the opening, then pull heater out of opening.
6. Remove the four screws securing the lid to the top of the heater assembly, remove lid.
7. Thoroughly vacuum accumulated dust, lint or other debris from blower wheel and heater outlet. Important: Be careful not to damage the blower wheel, and do not allow the blower wheel to spin freely when vacuuming.
8. Do not lubricate motor.
9. Install lid and slide heater assembly back into opening. Secure heater assembly to opening, then install grill and thermostat knob (if equipped).
10. Turn power back on at the electrical panel board.

Troubleshooting Chart

***CONSULT LOCAL ELECTRICAL CODES TO DETERMINE WHAT WORK MUST BE PERFORMED BY QUALIFIED ELECTRICAL SERVICE PERSONNEL.**

Symptom	Problem	Solution
Breaker trips immediately upon energizing heater.	<ol style="list-style-type: none"> 1. Incorrect supply voltage.* 2. Overloaded circuit.* 3. A short circuit exists in the supply or heater wiring.* 4. Defective circuit breaker.* 	<ol style="list-style-type: none"> 1. Verify that supply voltage matches the heater rating. 2. The total amperage of all heaters on a branch circuit must not be more than 80% of the amperage rating of the circuit breaker and supply wire ratings. Use a lower wattage heater, or reduce the number of heaters on the circuit. 3. Shorted supply or heater wires may be accompanied by severe sparking. Inspect all supply and heater wiring insulation for damage. Do not reset the circuit breaker until all electrical shorts have been repaired. 4. Replace the circuit breaker.
Heater fan operates, but does not discharge warm air.	<ol style="list-style-type: none"> 1. Insufficient element temperature. 2. Incorrect supply voltage.* 3. Element has failed.* 	<ol style="list-style-type: none"> 1. Allow a few moments for element to reach operating temperature. 2. Verify that supply voltage matches the heater rating. 3. Replace element.
Heater will not shut off.	<ol style="list-style-type: none"> 1. Heat loss from room is greater than heater capacity.* 2. Defective thermostat. 3. Thermostat wired incorrectly to heater.* 	<ol style="list-style-type: none"> 1. Close doors and windows. Provide additional insulation, or install a higher wattage heater or multiple heaters if necessary. (If your circuit is rated for more capacity.) 2. Adjust thermostat to its lowest setting. If heater continues to run (allow two minutes for the thermostat to respond), and room temperature is greater than 50°; replace the thermostat. 3. Refer to thermostat documentation and correct wiring.
Heater discharges smoke or emits a burnt odor.	<ol style="list-style-type: none"> 1. Dust, lint or other matter has accumulated inside heater. 2. Poor or loose electrical connections. 	<ol style="list-style-type: none"> 1. Clean heater (see "Maintenance" section above for instructions). 2. Turn off power at circuit breaker. Inspect all supply and heater wire connections to make sure nothing is loose or poorly connected. Secure or reconnect all loose connections. Do not reset circuit breaker until all connections have been checked and repaired.
Element heats for a moment without the fan turning, then immediately stops heating.	<ol style="list-style-type: none"> 1. Defective motor or internal connection.* 2. Fan or motor jammed. 	<ol style="list-style-type: none"> 1. Heater or fan motor requires replacement. 2. Remove obstruction and press heater manual reset button (see "Operating" section for instructions).
Heater does not run.	<ol style="list-style-type: none"> 1. Thermostat set too low. 2. Heater has tripped the manual reset temperature limit control. 3. Power not on at the circuit breaker. 4. Broken or poorly connected wire(s) to heater. 5. Defective thermostat. 	<ol style="list-style-type: none"> 1. Adjust thermostat to a higher temperature until heater operates (see Problem #5 if the problem persists). 2. Press the manual reset button (see "Operating" section for instructions). 3. Turn on the correct circuit breaker in the main panel. 4. Turn off power at circuit breaker. Check supply wire continuity and proper connection to heater wires. 5. The entire heater, or any of its components may be checked for continuity to determine the cause of any problems. Repair or replace the heater or thermostat.
Heater continually trips the manual reset temperature limit control.	<ol style="list-style-type: none"> 1. Dust, lint or other matter has accumulated inside heater. 2. Airflow is blocked. 3. Fan or motor is jammed. 4. None of the above. 	<ol style="list-style-type: none"> 1. Clean heater (see "Maintenance" section for instructions). 2. Remove obstruction. Maintain a minimum distance of 6 inches from any inside corner or adjacent surfaces, and 3 feet from furniture or other objects placed directly in front of the heater. 3. Remove obstruction, and press heater manual reset button (see "Operating" section for instructions). 4. Replace heater assembly.

Beneficios En Las Que Puede Confiar

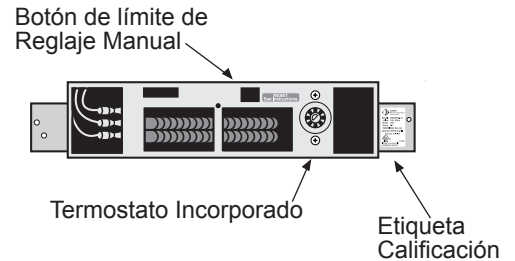
- Diseño delgado para brindar comodidad y ahorrar espacio en:
 - Zonas bajo los gabinetes de cocina y baño
 - Vehículos recreativos
 - Huecos de escaleras
 - Hogares Chimenea
- Seguro para usted y su familia
 - Tranquilidad gracias a la función de apagado automático por alta temperatura
- Componentes con sentido común diseñados pensando en usted
 1. SIN bordes filosos
 2. Resistentes a la corrosión
 3. Elemento resistente y confiable para brindar calor instantáneo
 4. Fácil de instalar
- Su calentador Cadet ha sido completamente probado y cuenta con una **garantía extendida de 2 años**

Modelos Perfectoe				
Voltaje Línea	Modelo sin Termostato	Modelo con Termostato (1)	Vatios	Amps
240 (2)	UC072		750	3.13
	UC102 (3)		1000	4.17
120	UC051		500	4.17
	UC101 (3)	UC101T (3)	1000	8.33

- (1) Termostato estándar incorporado de un solo polo y sin posición de apagado (OFF)
 (2) Los modelos de 240 voltios pueden usarse a 208 voltios. El vatiaje es igual al 75% de la potencia nominal de 240 v.
 (3) Para instalaciones a más de 7000 pies, el vatiaje más alto recomendado es de 750 vatios.

Nota: Kits del termostato opcionales se venden por separado

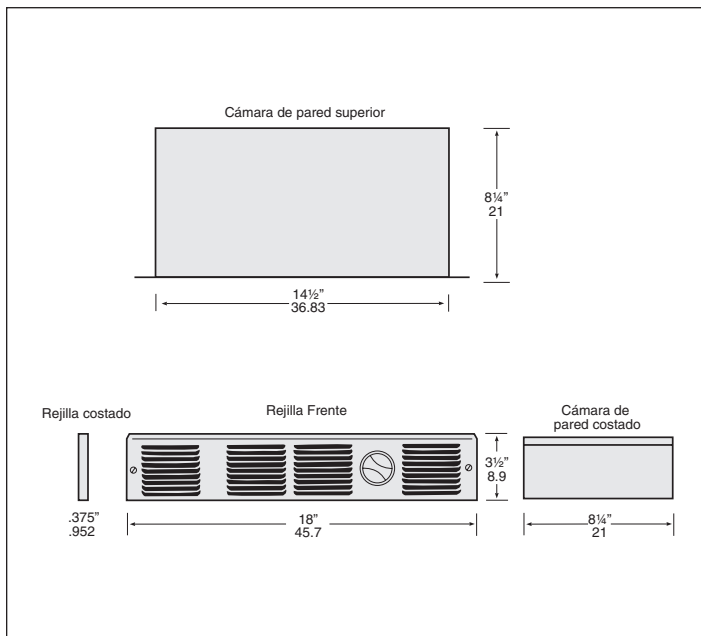
Modelos Perfectoe con Termostato *No requieren termostato mural



Modelos Perfectoe sin Termostato *Requieren termostato mural



- HERRAMIENTAS NECESARIAS:**
- Cuchillo multiuso
 - Destornillador Phillips
 - Destornillador plano
 - Pelacables
 - (4) tornillos de 1 1/2" para madera
 - Conectores de alambre aislados
 - (1) conector de alivio de tensión



INSTRUCCIONES IMPORTANTES

⚠️ ADVERTENCIA

Al utilizar artefactos eléctricos, siempre se deben adoptar precauciones básicas para reducir el riesgo de incendios, electrocución y lesiones personales, incluyendo lo siguiente:

1. Lea todas las instrucciones antes de instalar o usar este calentador.

2. ⚠️ ADVERTENCIA

Riesgo de incendio. Este calentador se calienta mucho cuando está en uso. Precaución – Alta temperatura. Riesgo de incendio. Mantenga los cables eléctricos, cortinas, muebles, y demás materiales combustibles a por lo menos 3 pies por delante y a 6 pulgadas por encima y por ambos costados del calentador.

3. ⚠️ ADVERTENCIA

Riesgo de quemaduras. Para evitar quemaduras, no lo toque con su piel descubierta. Tenga mucho cuidado cuando algún tipo de calentador sea usado por o cerca de niños o de personas inválidas, y cada vez que lo deje funcionando sin vigilancia.

4. ⚠️ ADVERTENCIA ⚠️

Riesgo de electrocución. No opere ningún calentador después de una avería. Desconecte la alimentación en el panel de servicio y pida a un técnico electricista calificado que lo revise antes de volver a usarlo.

5. ⚠️ ADVERTENCIA

No lo use a la intemperie.

6. Para desconectarlo, ponga los controles en OFF, y apague la alimentación del circuito del calentador en el panel de desconexión principal.

7. ⚠️ ADVERTENCIA ⚠️

Riesgo de electrocución. No introduzca ni permita que ingresen objetos en las aberturas de la ventilación o escape, ya que ello puede causar electrocución o incendio, o bien dañar el calentador.

8. ⚠️ ADVERTENCIA

Riesgo de incendio. Para evitar posibles incendios, no bloquee las tomas de aire ni el escape de manera alguna.

9. ⚠️ ADVERTENCIA

Podrían producirse explosiones o incendios. Todo calentador contiene piezas que se calientan y pueden producir arcos voltaicos o chispas. No lo use en áreas donde se utilice o almacene gasolina, pintura o vapores o líquidos inflamables.

10. Use este calentador sólo como se describe en este manual. Todo otro uso no recomendado por el fabricante puede causar incendios, descargas eléctricas o lesiones personales.

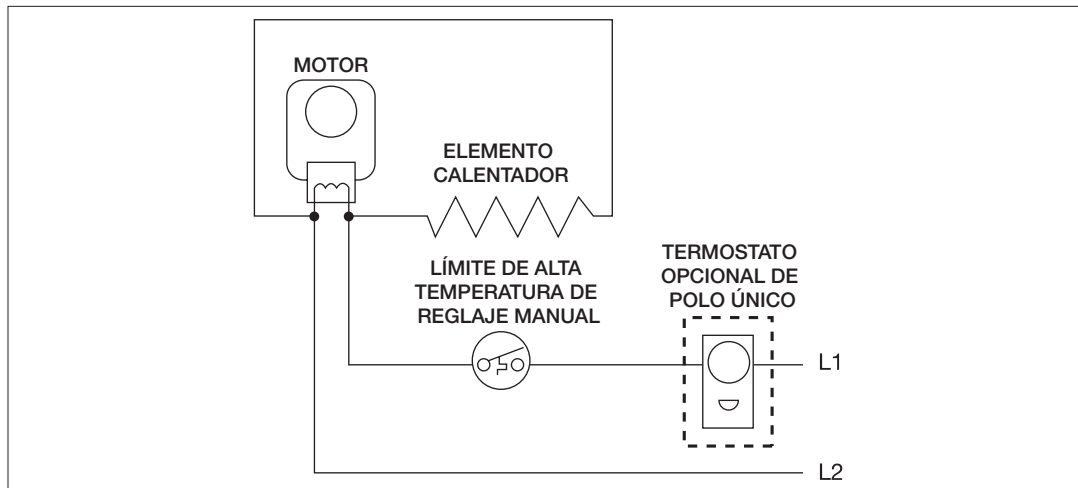
11. El calentador debe instalarse correctamente antes de usarlo.

12. ⚠️ ADVERTENCIA ⚠️

Riesgo de electrocución e incendio. No lo opere sin la rejilla.

13. Conserve estas instrucciones.

Diagramas de cableado



CONSERVE ESTAS INSTRUCCIONES

cadetheat.com Tel: 360-693-2505 PO Box 1675 Vancouver, WA 98668-1675

INSTRUCCIONES PARA LA INSTALACIÓN

1. ⚠️ ADVERTENCIA

Verifique que todos los cables de suministro eléctrico sean del mismo voltaje que el calentador.

2. Si va a reemplazar un calentador existente, revise la etiqueta del calentador antiguo.

3. Todo trabajo y materiales eléctricos deben cumplir con el Código Eléctrico Nacional ("NEC", por su sigla en inglés), con la Ley de Seguridad y Salud Ocupacional ("OSHA", por su sigla en inglés) y con todos los códigos estatales y locales.

4. Si se debe instalar un nuevo circuito o se necesita información adicional sobre el cableado, consulte a un electricista calificado.

5. Use conductores de cobre solamente.

6. ⚠️ ADVERTENCIA ⚠️

Riesgo de electrocución. NO instale el calentador directamente sobre la tina o lavamanos. NO lo instale en la zona de la ducha (el fabricante recomienda un espacio mínimo de 2 pies).

7. El calentador se debe instalar en la cámara de pared incluida.

8. ⚠️ ADVERTENCIA

Riesgo de incendio. NO instale el calentador en el piso, en el cielo raso, bajo la barra de la toalla, detrás de una puerta ni en ningún otro lugar en el que la descarga de aire se pueda bloquear de alguna manera.

9. ⚠️ ADVERTENCIA

Podrían producirse explosiones o incendios. Todo calentador contiene piezas que se calientan y pueden producir arcos voltaicos o chispas. No lo use en áreas donde se utilice o almacene gasolina, pintura o vapores o líquidos inflamables.

10. ⚠️ ADVERTENCIA ⚠️

Riesgo de electrocución. Conecte el conductor a tierra al tornillo de puesta a tierra suministrado. Evite que entren objetos extraños al calentador.

11. ⚠️ ADVERTENCIA

Riesgo de incendio. Este calentador se calienta mucho cuando está en uso. Precaución – Alta temperatura. Riesgo de incendio. Mantenga los cables eléctricos, cortinas, muebles, y demás materiales combustibles a por lo menos 3 pies por delante y a 6 pulgadas por encima y por ambos costados del calentador.

Parte Uno

UBICACIÓN: Para obtener mejores resultados, instale el calentador debajo de un armario en el área del hueco del zócalo. Instale horizontalmente la unidad Perfectoe (modelo UC). No instale el calentador UC en el suelo. No se necesitan brochales ni soportes. El calentador debe instalarse según las instrucciones indicadas en la tapa.

¡ADVERTENCIA! Los fabricantes de pisos de vinilo advierten que algunos de sus productos pueden decolorarse a temperaturas superiores a 110° F. Consulte al fabricante correspondiente las especificaciones de temperatura para el piso de vinilo suyo.

CONTROLES: Se requiere un termostato. Se recomienda usar un termostato electrónico Cadet para una comodidad y un control óptimos. Se ofrecen también juegos de termostato opcionales de polo único o doble para montaje en terreno: Números de los modelos UCT1 y UCT2.

PASO 1 Determine el área de instalación

La distancia MÍNIMA REQUERIDA es de 6 pulgadas desde las superficies adyacentes y 6 pulgadas desde el piso (consulte la figura 1). Sin embargo, Cadet RECOMIENDA 12 pulgadas desde las superficies adyacentes y el piso para lograr un rendimiento más prolongado y limpio. Si se instalan varios calentadores, deje al menos tres pies entre ellos.

Para la instalación en una pared/armario existente, corte una abertura sin acabar de 14½ pulgadas de ancho por 3½ pulgadas de alto. La abertura debe tener 8½ pulgadas de profundidad.

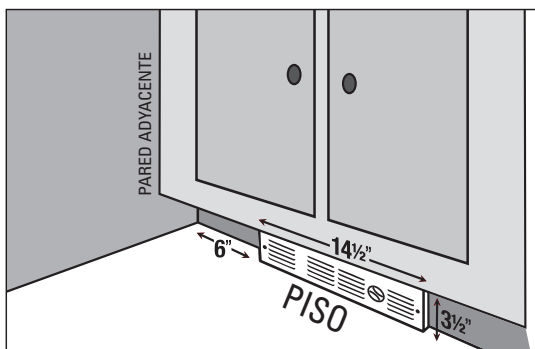


Figura 1

PASO 2 Dirija los alambres de suministro

Para instalaciones con termostatos murales, dirija el cable de suministro desde el cortacircuito a la abertura pasando por el termostato. Para modelos con un juego de termostato opcional para montaje en terreno, dirija el cable de suministro desde el cortacircuito a la abertura. Use suficiente cable como para que se extienda 12 pulgadas más allá de la abertura. Ponga la tapa del calentador a un lado. Quite el destapadero y fije el cable de suministro mediante un conector de alivio de tensión dejando 6 pulgadas de cable de conexión para utilizarlo más adelante (consulte la figura 2).

PASO 3 Conecte los alambres de suministro

Conecte el alambre de puesta a tierra del suministro al cable en espiral verde de tierra proporcionado (consulte la figura 2). Empalme cada alambre del suministro a un alambre del calentador usando conectores de cables. Nota: Todas las conexiones de alambres deben hacerse dentro del calentador.

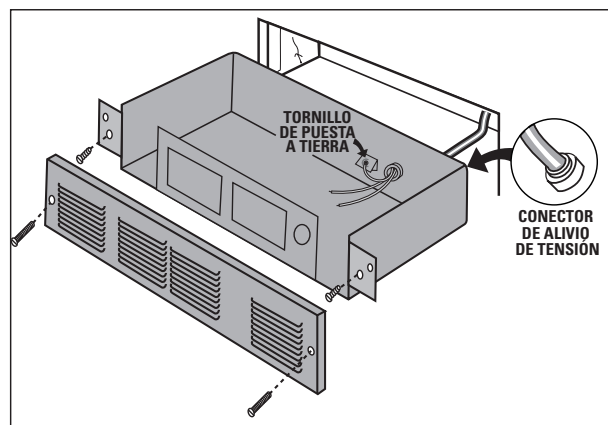


Figura 2

PASO 4 Monte el calentador

Vuelva a instalar la tapa del calentador y afíncela con los cuatro tornillos que se proporcionan. Deslice el calentador al interior de la abertura. Afiance el calentador al armario con tornillos (no se proporcionan) por los orificios inferiores situados en las bridas. Afiance la rejilla al calentador con los tornillos que se proporcionan por los orificios superiores situados en las bridas.

PASO 5 Conecte la electricidad

Vuelva a conectar la electricidad en el tablero del panel eléctrico (cortacircuito o caja de fusibles).

OPERACIÓN DEL CALENTADOR

⚠ ADVERTENCIA Riesgo de electrocución e incendio.

El calentador debe instalarse correctamente antes de usarlo.

1. No lo opere sin la rejilla.
2. Mantenga los cables eléctricos, cortinas, muebles, y demás materiales combustibles a por lo menos 3 pies por delante y a 6 pulgadas de los costados del calentador.
3. No manipule el control limitador de sobretemperatura.
4. Si los limitadores de sobretemperatura se disyuntan más de una vez al día, se debe reemplazar el calentador.

Cómo hacer funcionar el calentador

La temperatura ambiente es controlada por un termostato de voltaje de línea situado ya sea en la pared o incorporado en el calentador.

1. Una vez que se haya realizado la instalación y reestablecido la energía eléctrica, gire totalmente la perilla del termostato en el sentido de las manecillas del reloj.
2. Cuando la habitación haya alcanzado un nivel cómodo, gire la perilla del termostato en sentido contrario a las manecillas del reloj hasta que el calentador se apague. El calentador se encenderá y apagará automáticamente según esta temperatura preestablecida.
3. Para reducir la temperatura del ambiente, gire la perilla en sentido contrario a las manecillas del reloj. Para aumentar la temperatura del ambiente, gire la perilla en el sentido de las manecillas del reloj.

5. Limpie el calentador por lo menos cada seis meses.

6. Después de dejar que el calentador se enfríe, desconecte la electricidad en el panel de cortacircuitos antes de retirar la rejilla.

7. Use una secadora o aspiradora en el ciclo de soplado para quitar la suciedad en el elemento superior (sin tocarlo).

8. Instale la rejilla antes de conectar la energía.

⚠ ADVERTENCIA: Toda otra labor no detallada en esta Guía para el propietario la debe efectuar un representante de servicio autorizado.

Acerca del control de límite de temperatura de reglaje manual

El calentador está protegido por un control limitador de temperatura con reglaje manual, el cual está diseñado para abrir el circuito del calentador cuando se detectan temperaturas de funcionamiento excesivas. El problema debe evaluarse y el límite debe restablecerse para que el calentador vuelva a funcionar.

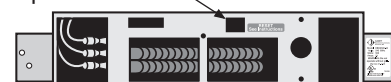
Cómo restablecer el control de límite de reglaje manual

Cómo restablecer el control limitador de temperatura de reglaje manual

Si el control limitador de reglaje manual ha abierto el circuito del calentador debido a temperaturas de funcionamiento excesivas, el calentador no funcionará sino hasta que se oprima el botón de límite de reglaje manual.

Después de dejar que la unidad se enfríe durante unos 15 minutos y resolver el problema que causa que se disyunte el interruptor de límite (generalmente el calentador está bloqueado o necesita limpieza), utilice un objeto puntiagudo como un bolígrafo para acceder al botón de reglaje a través de la rejilla del calentador. Oprima el botón FIRMEMENTE y asegúrese de escuchar y sentir un chasquido indicando que se ha restablecido.

Botón de Límite de Reglaje Manual aquí dentro



Garantía

Para lograr una operación más eficaz y segura y prolongar la vida útil del calentador, lea la Guía del propietario y siga las instrucciones de mantenimiento. Si no le da el mantenimiento adecuado al calentador invalidará la garantía y puede hacer que el aparato funcione incorrectamente. Las garantías no son transferibles y rigen sólo para el comprador original. Los términos de la garantía se indican a continuación.

GARANTÍA LIMITADA DE DOS AÑOS: Cadet reparará o reemplazará todo calentador Perfectoe (UC) que se determine esté averiado en un plazo de dos años a partir de la fecha de compra.

Estas garantías no son pertinentes para:

1. Daños que sufra el producto por instalación o voltaje de suministro incorrectos;
2. Daños que sufra el producto por mantenimiento incorrecto, uso indebido, abuso, accidente o alteraciones;
3. Servicio que se le haya dado al producto por parte de personas o entidades ajenas a Cadet.
4. Casos en que no se pueda determinar la fecha de fabricación del producto;
5. Casos en que el producto resulte dañado durante el embarque por causas ajenas a Cadet.
6. LA GARANTÍA DE CADET SE LIMITA A LA REPARACIÓN O REEMPLAZO, TAL COMO SE ESTABLECE EN ESTE DOCUMENTO. CADET NO SE HARÁ RESPONSABLE POR DAÑOS A LA PROPIEDAD O DAÑOS CONSECUENTES, COMO TAMPOCO POR GASTOS ACCIDENTALES DEBIDO AL INCUMPLIMIENTO DE ESTAS GARANTÍAS ESCRITAS O DE CUALQUIER GARANTÍA EXPRESA O IMPLÍCITA.

7. EN CASO DE QUE CADET DECIDA REEMPLAZAR ALGUNA PIEZA DEL PRODUCTO CADET, LOS REPUESTOS SE REGISTRAN POR LAS MISMAS GARANTÍAS DEL PRODUCTO. LA INSTALACIÓN O REEMPLAZO DE LOS REPUESTOS NO MODIFICA NI PROLONGA LAS GARANTÍAS VIGENTES. EL REEMPLAZO O REPARACIÓN DE TODO PRODUCTO O PIEZA CADET NO ORIGINA NINGÚN TIPO DE NUEVA GARANTÍA.

8. Estas garantías le otorgan derechos legales específicos y es posible que usted tenga otros derechos que varíen de un estado a otro. Cadet no asume ni autoriza a nadie que lo haga en su nombre, ninguna otra obligación o responsabilidad en relación con sus productos que no sean las que se establecen en este documento.

Si durante el período de garantía usted considera que su producto Cadet presenta defectos, comuníquese con Cadet Manufacturing Co. llamando al 360-693-2505 para obtener instrucciones sobre cómo tramitar la reparación o el reemplazo del producto. Los reclamos de garantía presentados después de la finalización del período no serán acogidos. Los productos que se devuelvan sin autorización serán rechazados.

Repuestos y servicio

En cadetheat.com/parts-service encontrará información sobre dónde obtener repuestos y servicio.

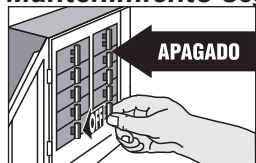


Reduzca-Reutilice-Recicle

Este producto está hecho principalmente de materiales reciclables. Puede reducir la cantidad de carbono que contribuye al medio ambiente reciclando este producto al término de su vida útil. Comuníquese con su centro local de reciclaje para obtener mayores instrucciones al respecto.

MANTENIMIENTO DEL CALENTADOR

Mantenimiento Según sea necesario, o cada seis meses como mínimo.



⚠ ¡ADVERTENCIA! Desconecte la electricidad en el tablero del panel eléctrico (caja de cortacircuitos o fusibles) y trabe o coloque un cartel en la puerta del tablero del panel para evitar que alguien vuelva a conectar la energía mientras se esté trabajando en el calentador. De lo contrario podrían producirse graves golpes eléctricos, quemaduras e incluso la muerte.

⚠ ADVERTENCIA: Toda otra labor no detallada en esta Guía para el propietario la debe efectuar un representante de servicio autorizado.

1. Antes de proceder, es importante que usted verifique que se haya desconectado la alimentación y que el calentador no reciba energía. Los cortacircuitos no suelen estar correctamente marcados, y apagar el incorrecto podría significar que sigue fluyendo electricidad al calentador, aun cuando éste parezca no estar funcionando. Si no se siente cómodo al trabajar con artefactos eléctricos, no está en condiciones de acatar estas pautas o no cuenta con los equipos necesarios, solicite los servicios de un técnico electricista calificado.

2. Una vez que verifique que se ha apagado la alimentación correctamente, prosiga con el paso siguiente.

3. Retire la perilla del termostato (si la hubiera), los tornillos y extraiga la rejilla.

4. Lave la rejilla con agua caliente y jabón, y séquela de inmediato.

5. Retire los tornillos que fijan el conjunto del calentador a la abertura, y luego tire de él por la abertura.

6. Retire los cuatro tornillos que afianzan la tapa a la parte superior del conjunto del calentador y retire la misma.

7. Aspire totalmente el polvo, pelusas y demás suciedad acumulados en la rueda del soplador y el tomacorriente del calentador. Importante: Tenga cuidado de no dañar la rueda del soplador, y no permita que ésta gire libremente al aspirar.

8. No lubrique el motor.

9. Instale la tapa y vuelva a deslizar el conjunto del calentador al interior de la abertura. Afiance el conjunto del calentador en la abertura, luego instale la rejilla y la perilla del termostato (si la hubiere).

10. Vuelva a conectar la alimentación en el tablero del panel eléctrico.

Tabla de resolución de problemas

***CONSULTE LOS CODIGOS ELECTRICOS LOCALES PARA DETERMINAR QUE TRABAJOS DEBEN SER REALIZADOS POR PERSONAL DE SERVICIO ELÉCTRICO CALIFICADO.**

Síntoma	Problema	Solución
El interruptor se disyunta inmediatamente al encenderse el calentador.	<ol style="list-style-type: none"> 1. Voltaje de suministro incorrecto.* 2. Circuito sobrecargado.* 3. Hay un cortocircuito en los cables de suministro o del calentador.* 4. Cortacircuito defectuoso.* 	<ol style="list-style-type: none"> 1. Compruebe que el voltaje de suministro coincida con la calificación del calentador. 2. El amperaje total de todos los calentadores en un circuito de rama no debe sobrepasar el 80% de la calificación de amperaje del cortacircuito y de las calificaciones de los cables de suministro. Utilice un calentador de vatiaje inferior o reduzca la cantidad de calentadores en el circuito. 3. Los cables de suministro o del calentador que presentan cortocircuitos pueden ocasionar chispas peligrosas. Revise el aislamiento de todos los cables de suministro y del calentador para comprobar que no estén dañados. No reestablezca el cortacircuito sino hasta que se hayan reparado todos los cortocircuitos eléctricos. 4. Reemplace el cortacircuito.
El ventilador del calentador funciona pero no envía aire caliente.	<ol style="list-style-type: none"> 1. Temperatura insuficiente del elemento. 2. Voltaje de suministro incorrecto.* 3. El elemento ha fallado.* 	<ol style="list-style-type: none"> 1. Espere unos momentos para que el elemento alcance la temperatura de funcionamiento. 2. Compruebe que el voltaje de suministro coincida con la calificación del calentador. 3. Reemplace el elemento.
El calentador no se apaga.	<ol style="list-style-type: none"> 1. La fuga de calor de la habitación es superior a la capacidad del calentador.* 2. Termostato defectuoso. 3. Termostato cableado al calentador de forma incorrecta.* 	<ol style="list-style-type: none"> 1. Cierre las puertas y ventanas. Coloque aislamiento adicional, o instale un calentador de mayor vatiaje o múltiples calentadores si fuera necesario. (Si su circuito tiene mayor capacidad). 2. Ajuste el termostato a la graduación más baja. Si el calentador continúa funcionando (espere un par de minutos para que el termostato tenga tiempo de responder al ajuste) y la temperatura del ambiente es superior a 50 grados, reemplace el termostato. 3. Consulte la documentación del termostato y cableado correcto.
El calentador emite humo o un olor a quemado.	<ol style="list-style-type: none"> 1. Se han acumulado polvo, pelusas u otros materiales dentro del calentador. 2. Conexiones eléctricas deficientes o sueltas. 	<ol style="list-style-type: none"> 1. Limpie el calentador (consulte las instrucciones en la sección "Mantenimiento del Calentador"). 2. Desconecte la energía en el cortacircuito. Inspeccione todas las conexiones de alambres del suministro y del calentador para cerciorarse de que no haya nada suelto ni mal conectado. Afiance o reconecte todas las conexiones sueltas. No restablezca el cortacircuito sino hasta haber revisado y reparado todas las conexiones.
El elemento caliente por un momento sin que gire el ventilador y luego deja de calentar inmediatamente.	<ol style="list-style-type: none"> 1. Motor o conexión interna defectuosos.* 2. Ventilador o motor trabado. 	<ol style="list-style-type: none"> 1. Debe reemplazarse el calentador o el motor del ventilador. 2. Quite la obstrucción y oprima el botón de reglaje manual del calentador tras dejar que la unidad se enfríe (vea las instrucciones en la sección "Operación del Calentador").
El calentador no funciona.	<ol style="list-style-type: none"> 1. El termostato se ha graduado muy bajo. 2. El calentador ha disyuntado el control limitador de temperatura de reglaje manual. 3. La energía no está conectada en el interruptor de circuito. 4. Los cable(s) que va(n) al calentador están rotos o mal conectados. 5. Termostato defectuoso. 	<ol style="list-style-type: none"> 1. Ajuste el termostato a una temperatura más alta hasta que el calentador funcione (vea el Problema No. 5 si el problema persiste). 2. Oprima el botón de restablecimiento manual (vea las instrucciones en la sección "Operación del Calentador"). 3. Conecte el cortacircuito correcto en el panel principal. 4. Desconecte la energía en el cortacircuito. Revise la continuidad del cable de suministro y la conexión apropiada a los cables del calentador. 5. Se debe revisar la continuidad de todo el calentador, o bien de sus componentes a fin de determinar la causa de cualquier problema. Repare o reemplace el calentador o termostato.
El calentador disyunta continuamente el control limitador de temperatura de reglaje manual.	<ol style="list-style-type: none"> 1. Se han acumulado polvo, pelusas u otros materiales dentro del calentador. 2. El flujo de aire está bloqueado. 3. El ventilador o el motor está trabado. 4. Ninguna de las anteriores. 	<ol style="list-style-type: none"> 1. Limpie el calentador (vea las instrucciones en la sección "Mantenimiento del Calentador"). 2. Retire la obstrucción. Mantenga una distancia mínima de 6 pulgadas de las superficies adyacentes, y 3 pies de los muebles u otros objetos situados directamente delante del calentador. 3. Retire la obstrucción y oprima el botón de reglaje manual del calentador (vea las instrucciones en la sección "Operación del Calentador"). 4. Reemplace el conjunto del calentador.