

Linear Convector™ LC Series

Heat that fits



Revolutionary design provides a sleek, compact heater profile, while improving heater performance, reducing energy consumption, and improving comfort.

Features

- Faster heating of the room than a conventional baseboard due to rapid vertical laminar air flow, directing heat to the ceiling, speeding dispersal of warm air into the center of the room
- Improved performance and reduced length through use of top heat discharge and new fin design
- Superior shark-fin blade design on a steel tubular element for improved heat transfer and longer life
- Discreet styling, reduced length and added versatility of placement provide more options when designing a room
- May be used with wall or top mounted built-in thermostat (not included)
- Full length automatic overheat reset for safety

Applications

- All residential applications, commercial offices, lobbies, washrooms



Specifications

| | |
|------------------------|---|
| Voltage | 120, 208, 240, 347V |
| Wattage | Sizes ranging from 500W to 2500W |
| Color | White or Almond |
| Finish | Specially-formulated epoxy / polyester powder coating is environmentally friendly and resists fading and abrasion. |
| Construction | Robust, 20 gauge steel construction. |
| Heating Element | A nickel chromium element is totally enclosed within a steel sheath, providing superior life expectancy and resistance to rust. Shark-fin shaped aluminum fins are firmly staked in an upright position to provide directional wicking for top discharge heat transfer. |
| Installation | Easily removed front caps, knock-outs on both sides of the convector, and pre-stamped mounting holes make installation easy. |
| Warranty | Ten year element warranty. One year warranty on complete unit. |



LC Series

Ordering Guide

| Cat. No. | Watts | Volts | BTU | Length mm/in. | Weight kg/lbs. | Cat. No. | Watts | Volts | BTU | Length mm/in. | Weight kg/lbs. |
|-----------|----------|---------|-----------|---------------|----------------|-----------|-----------|---------|-----------|---------------|----------------|
| LC2005W11 | 500 | 120 | 1706 | 508/20 | 1.7/3.75 | LC3512W31 | 1250/938 | 240/208 | 4265/3199 | 889/35 | 2.9/6.40 |
| LC2005W21 | 500 | 208 | 1706 | 508/20 | 1.7/3.75 | LC3512W51 | 1250 | 347 | 4265 | 889/35 | 2.9/6.40 |
| LC2005W31 | 500/375 | 240/208 | 1706/1280 | 508/20 | 1.7/3.75 | LC4015W11 | 1500 | 120 | 5118 | 1016/40 | 3.2/7.50 |
| LC2005W51 | 500 | 347 | 1706 | 508/20 | 1.7/3.75 | LC4015W21 | 1500 | 208 | 5118 | 1016/40 | 3.2/7.50 |
| LC2507W11 | 750 | 120 | 2559 | 635/25 | 2/4.40 | LC4015W31 | 1500/1125 | 240/208 | 5118/3839 | 1016/40 | 3.2/7.50 |
| LC2507W21 | 750 | 208 | 2559 | 635/25 | 2/4.40 | LC4015W51 | 1500 | 347 | 5118 | 1016/40 | 3.2/7.50 |
| LC2507W31 | 750/563 | 240/208 | 2559/1919 | 635/25 | 2/4.40 | LC5020W21 | 2000 | 208 | 6824 | 1270/50 | 3.7/8.20 |
| LC2507W51 | 750 | 347 | 2559 | 635/25 | 2/4.40 | LC5020W31 | 2000/1500 | 240/208 | 6824/5120 | 1270/50 | 3.7/8.20 |
| LC3010W11 | 1000 | 120 | 3412 | 762/30 | 2.3/5.00 | LC5020W51 | 2000 | 347 | 6824 | 1270/50 | 3.7/8.20 |
| LC3010W21 | 1000 | 208 | 3412 | 762/30 | 2.3/5.00 | LC6025W21 | 2500 | 208 | 8530 | 1524/60 | 4.4/9.70 |
| LC3010W31 | 1000/750 | 240/208 | 3412/2559 | 762/30 | 2.3/5.00 | LC6025W31 | 2500/1875 | 240/208 | 8530/6398 | 1524/60 | 4.4/9.70 |
| LC3010W51 | 1000 | 347 | 3412 | 762/30 | 2.3/5.00 | LC6025W51 | 2500 | 347 | 8530 | 1524/60 | 4.4/9.70 |
| LC3512W11 | 1250 | 120 | 4265 | 889/35 | 2.9/6.40 | | | | | | |
| LC3512W21 | 1250 | 208 | 4265 | 889/35 | 2.9/6.40 | | | | | | |

Note: 1) Standard color is white.
2) To order almond, omit "W" in Cat. No.

Control Options (field installed)

Thermostat Kits

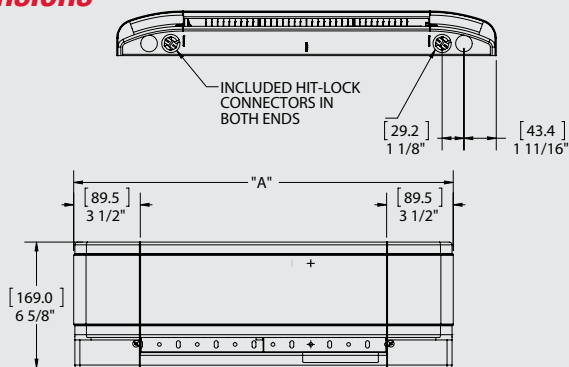
| Cat. No. | Description | Rating |
|----------|--|----------------------------|
| DTK-SP | Single pole built-in thermostat kit (adjustable) | 120-240V, 17A 347V, 14A |
| DTK-DP | Double pole built-in thermostat (adjustable) | 120-240V, 17A 347V, 11A |
| DTKT-SP | Single pole built-in tamperproof thermostat kit | 120-240V, 17A 347V, 11A |
| DTKT-DP | Double pole built-in tamperproof thermostat kit | 120-240V, 25A 347V, 11A |

Note: Each adjustable kit contains white and almond control knobs and hardware

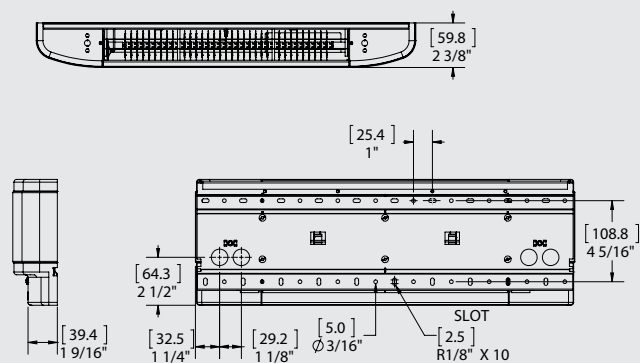
Relays

| Cat. No. | Description | Rating |
|----------|--|-------------------------------|
| BLLVC11 | Low voltage relay & transformer kit | 120V, 22A |
| BLLVC21 | Low voltage relay & transformer kit | 208V, 22A |
| BLLVC31 | Low voltage relay & transformer kit | 240V, 22A |
| BLLVC51 | Low voltage relay & transformer kit | 347V, 17A |
| BLLVD | Low voltage relay less transformer kit | 120/208/240, 22A 347V, 17A |

Dimensions



"A" - see Length in Ordering Guide



NOTE: ALL KNOCK OUTS ARE 7/8" FOR 1/2" CONDUIT